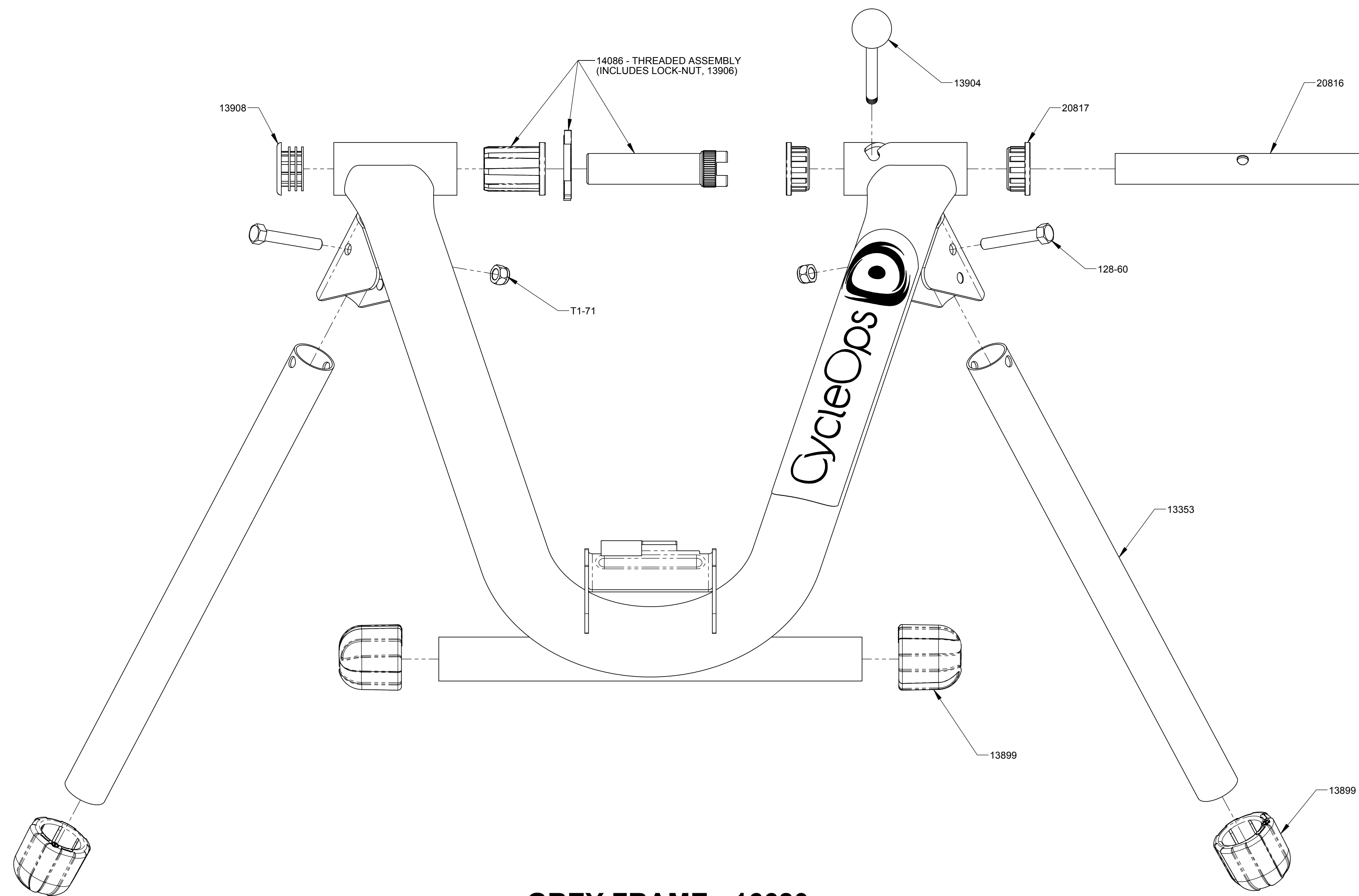
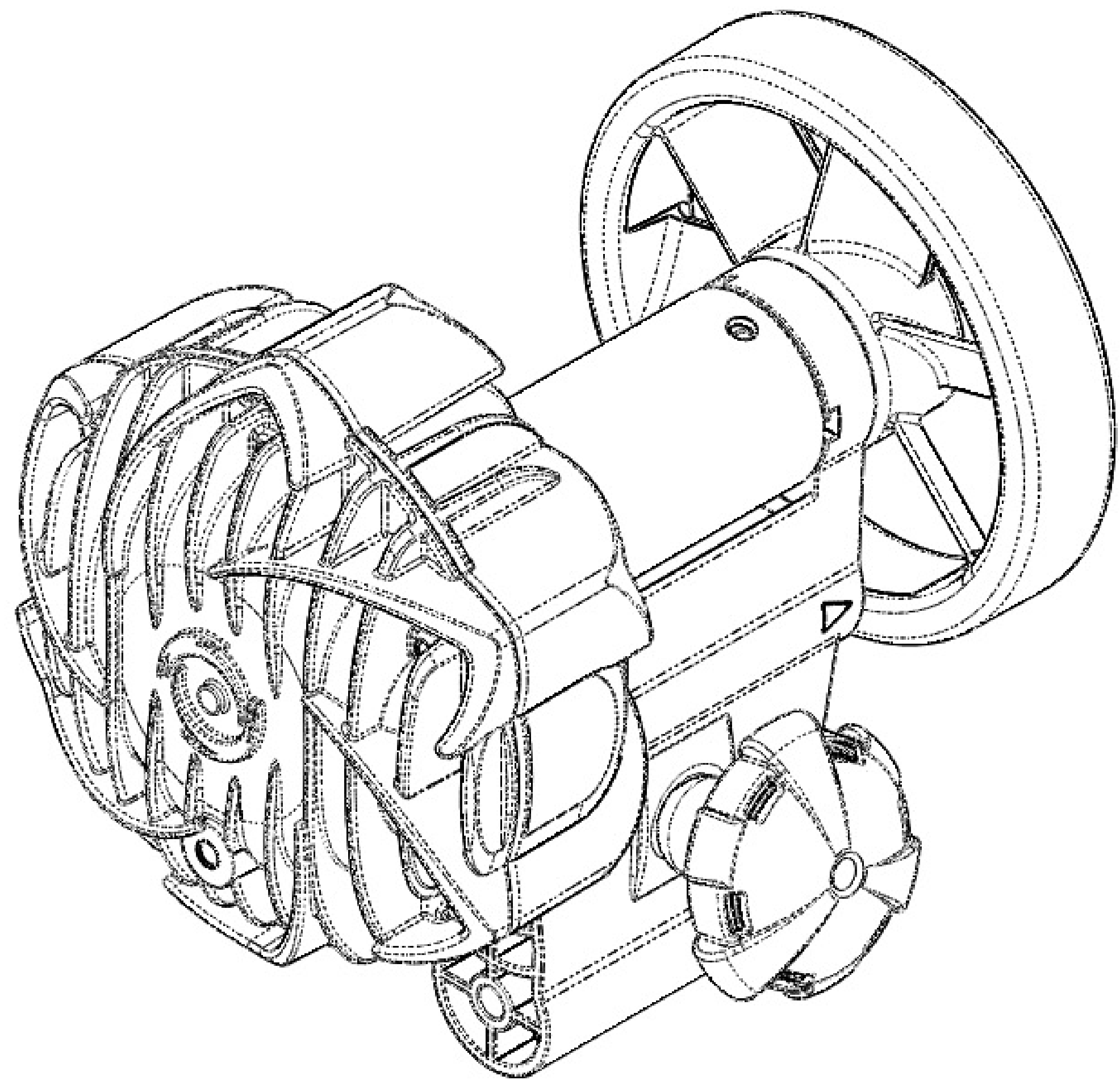


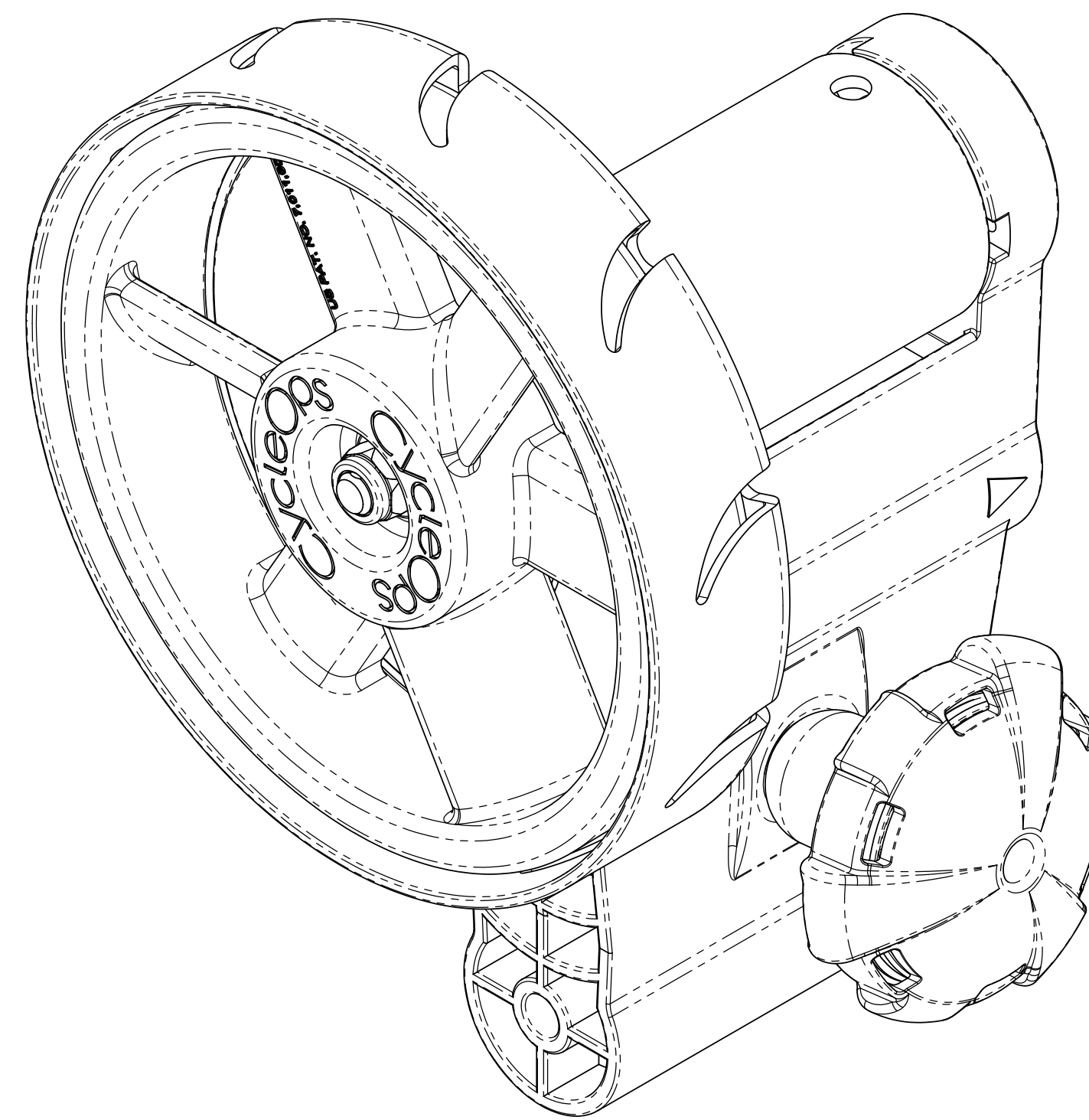
**BLACK FRAME - 21700**



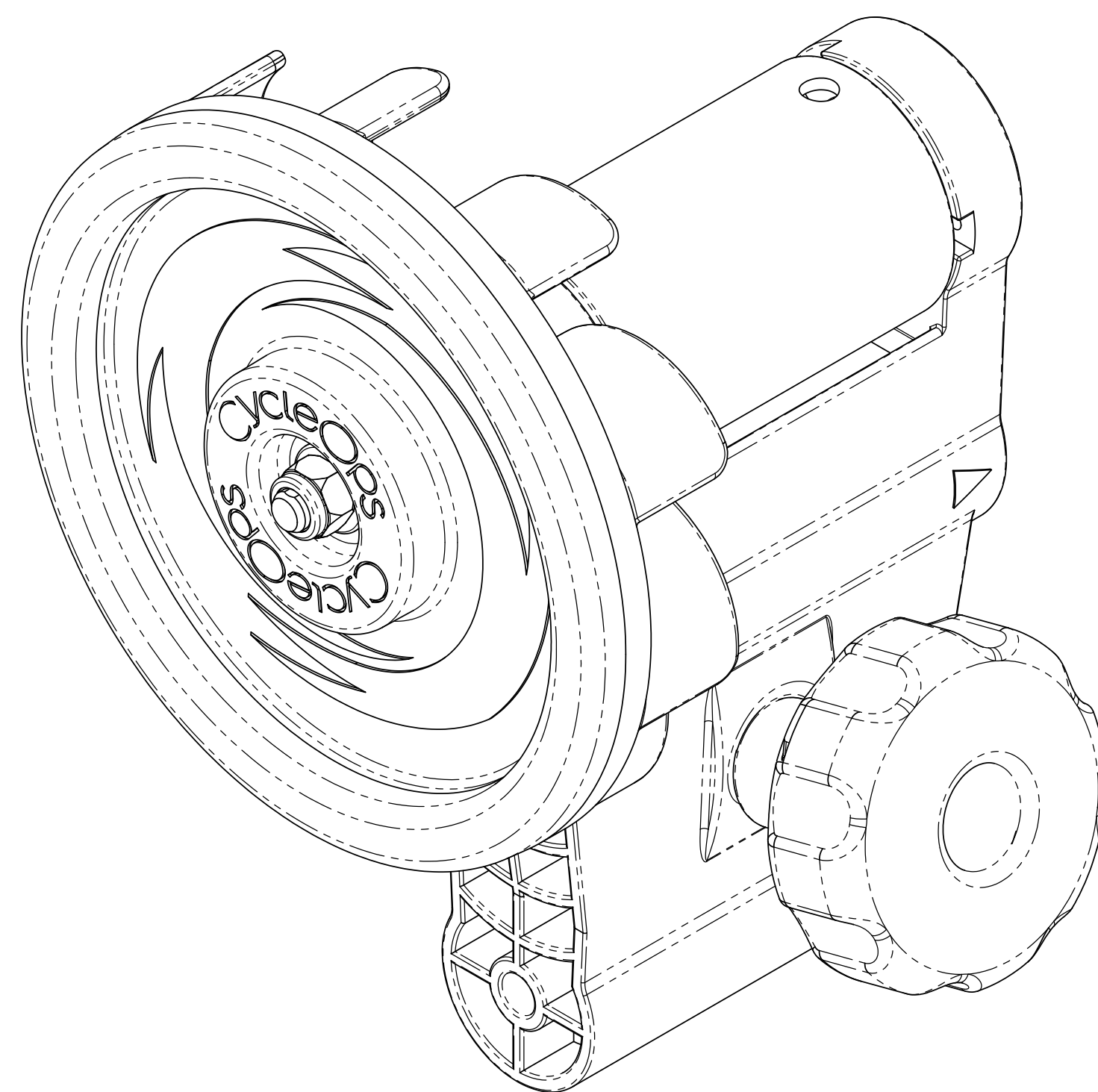
**GREY FRAME - 16680**



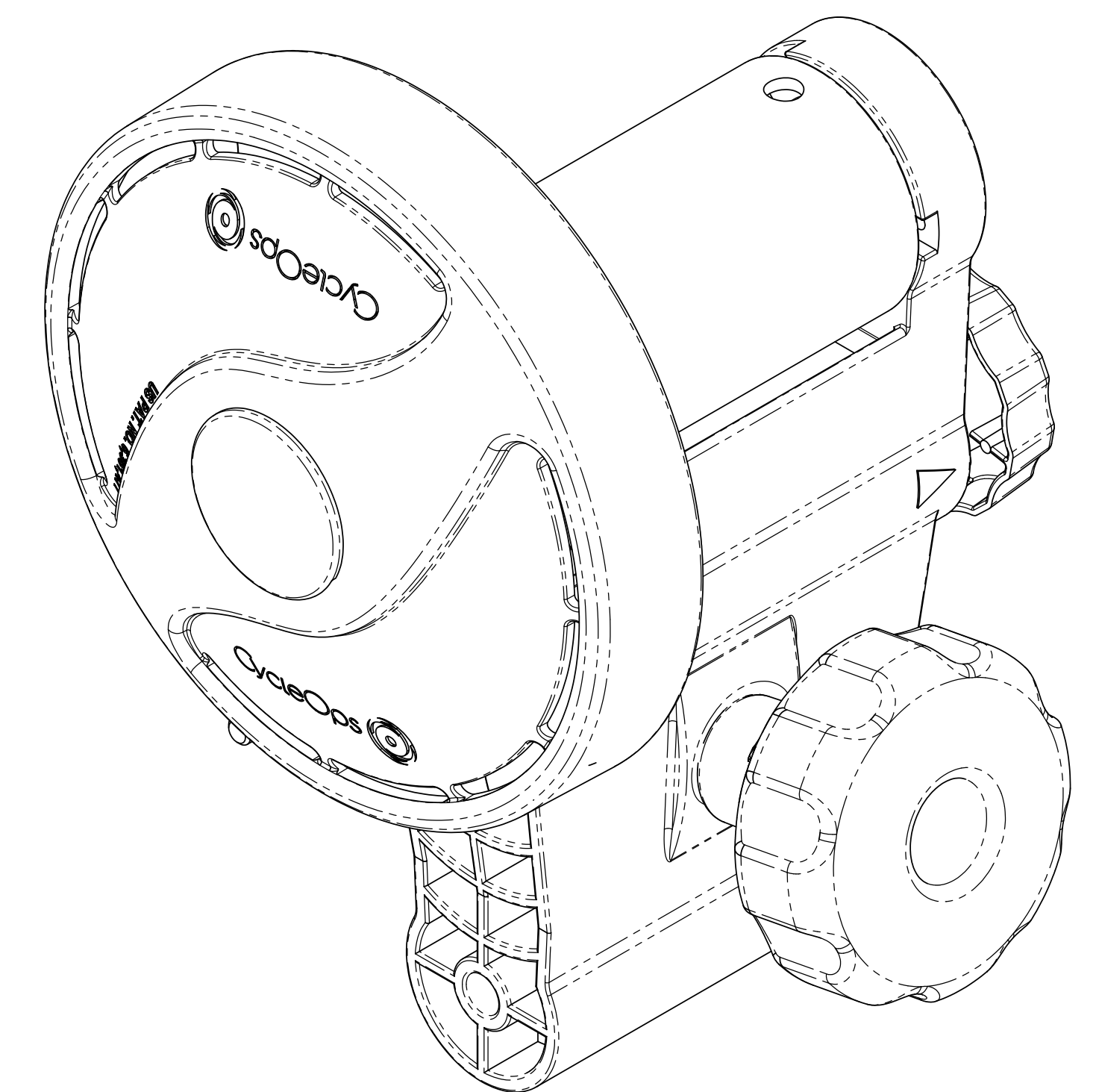
**FLUID2 RESISTANCE UNIT  
22014**



**MAGNETO RESISTANCE UNIT  
22013**



**WIND RESISTANCE UNIT  
22011**



**MAG RESISTANCE UNIT  
22012**

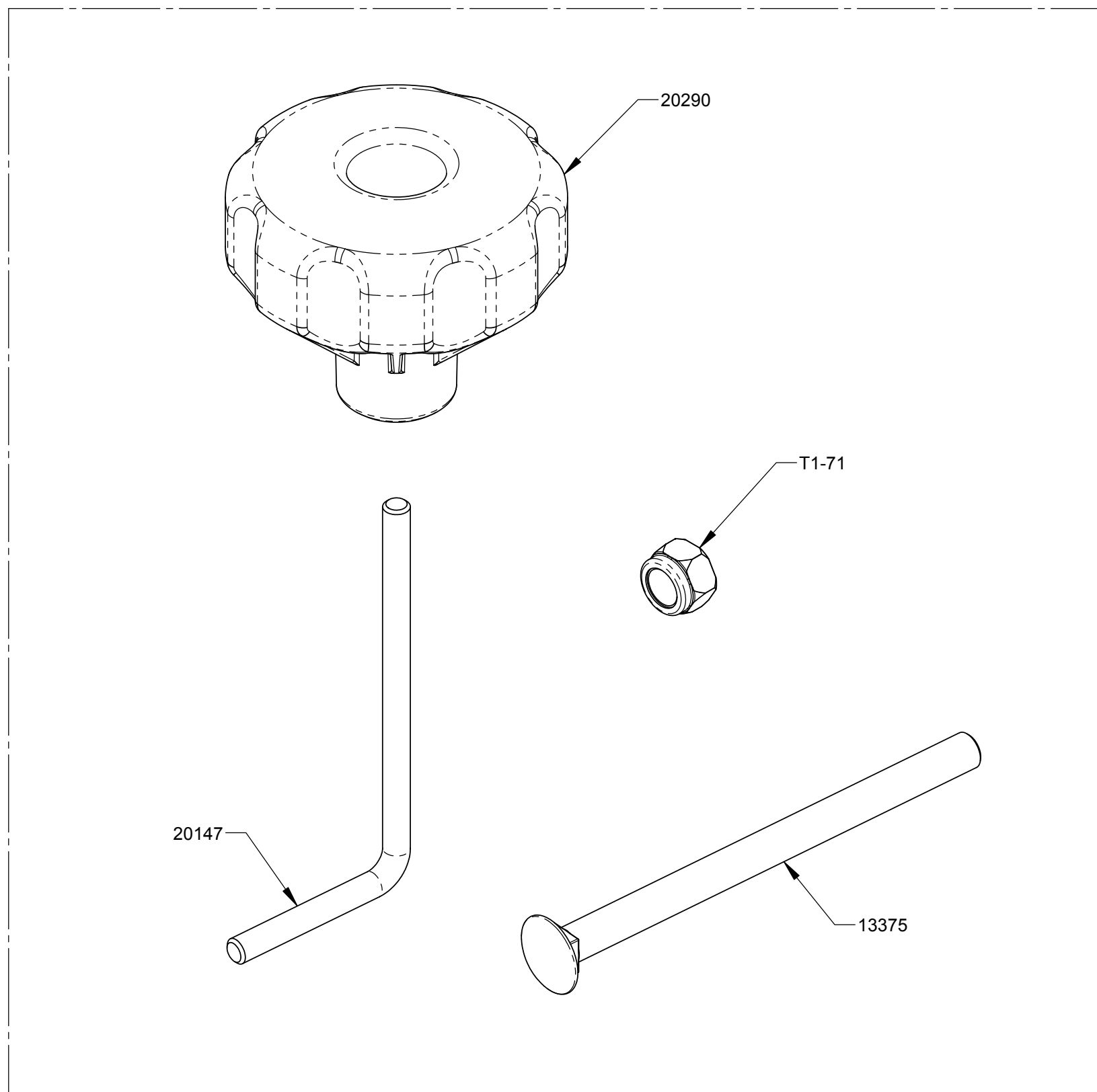


**SARIS CYCLING GROUP**  
5253 VERONA RD., MADISON WI 53711  
1-800-783-7257 / 1-800-274-6560  
WWW.SARIS.COM WWW.CYCLEOPS.COM  
WWW.POWERTAP.COM

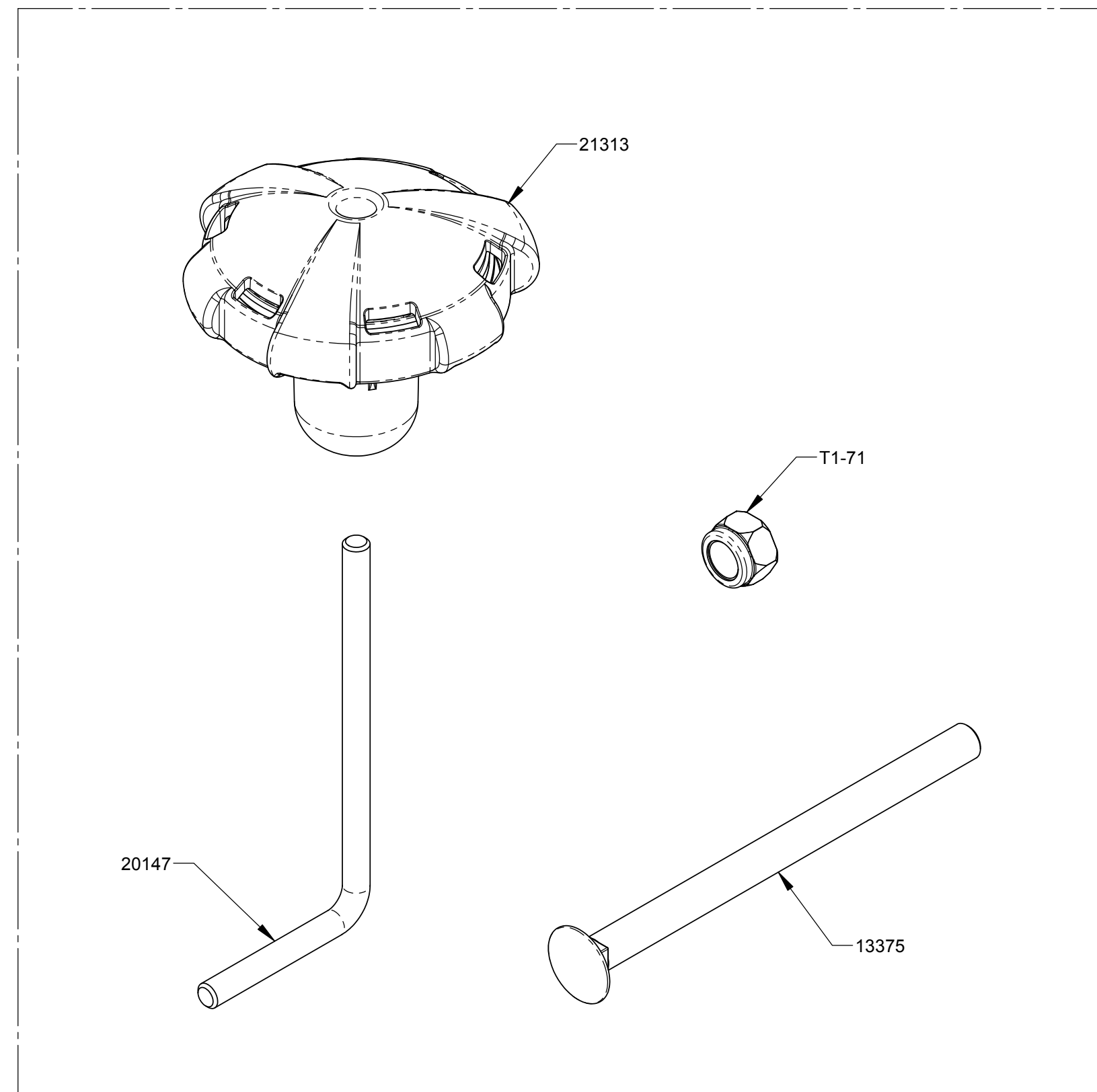


© SARIS CYCLING GROUP 2014  
THE INFORMATION CONTAINED IN THIS DRAWING IS THE SOLE CONFIDENTIAL PROPERTY OF  
SARIS CYCLING GROUP. ANY REPRODUCTION, IN PART OR WHOLE, WITHOUT  
THE WRITTEN PERMISSION OF SARIS CYCLING GROUP IS PROHIBITED.

TITLE: CLASSIC SRS TRNR RES. UNITS



**20987 - IP,CLASSIC RU HDWE/KNOB**  
**INDIVIDUAL COMPONENTS AVAILABLE UPON REQUEST**



**22197 - IP,CLASSIC RU HDWE/RATCH KNOB**  
**INDIVIDUAL COMPONENTS AVAILABLE UPON REQUEST**